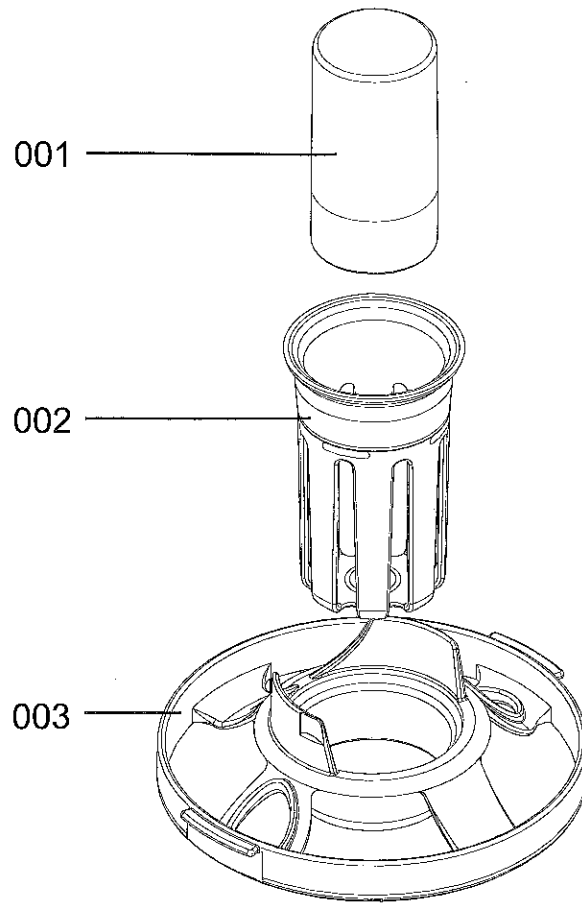


BUCKET CHECK VALVE



• ASSEMBLY SEQUENCE

